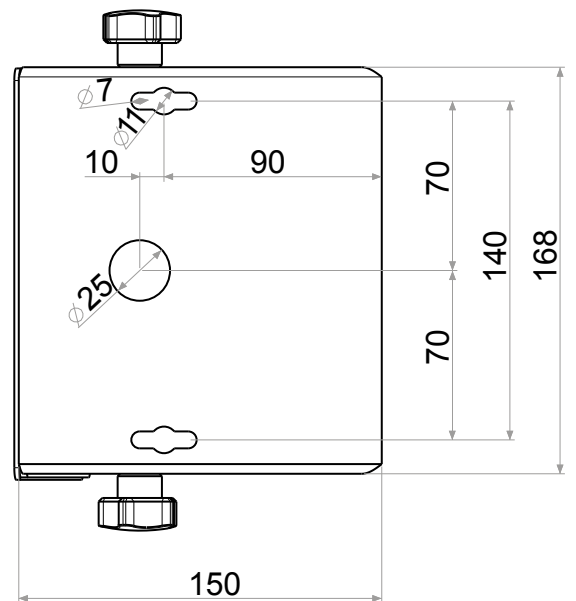
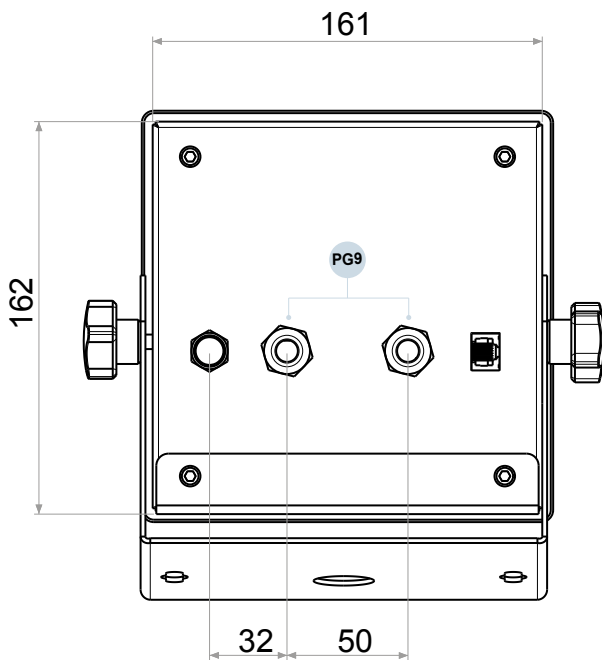
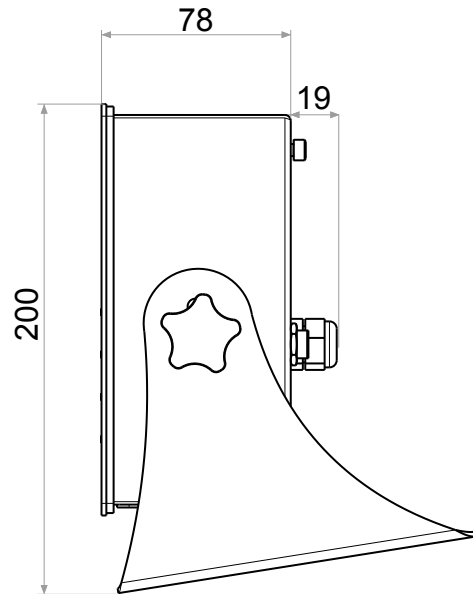
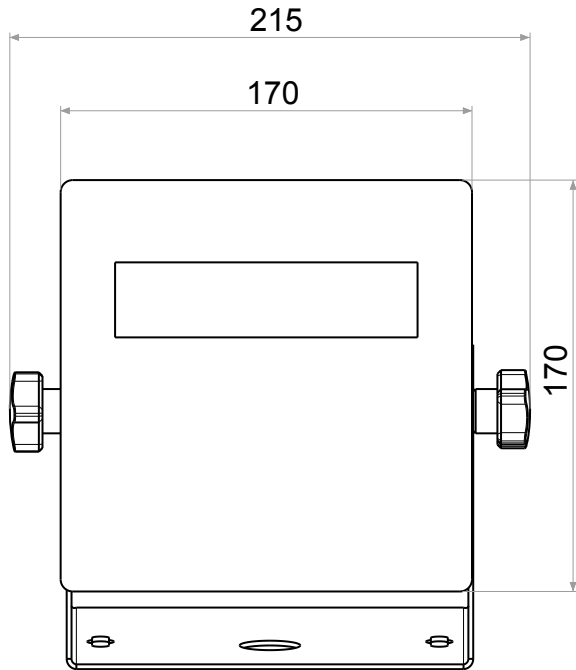


# DGTPKF



Cable gland	Min. cable $\varnothing$ (mm)	Max. cable $\varnothing$ (mm)	Fastening torque (Nm)
PG9 - plastic	3,5	8	2

dimensions in mm